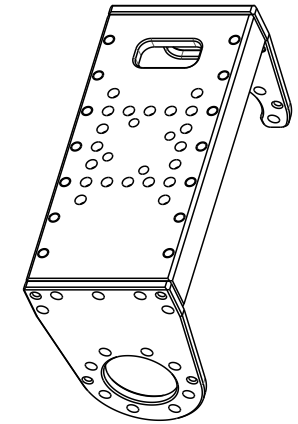
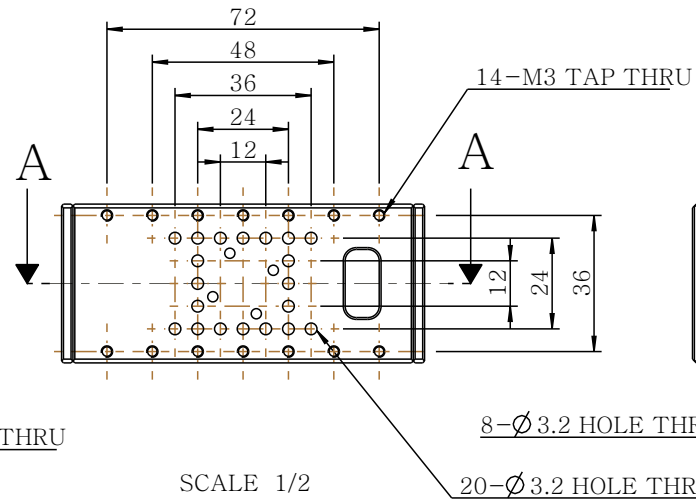
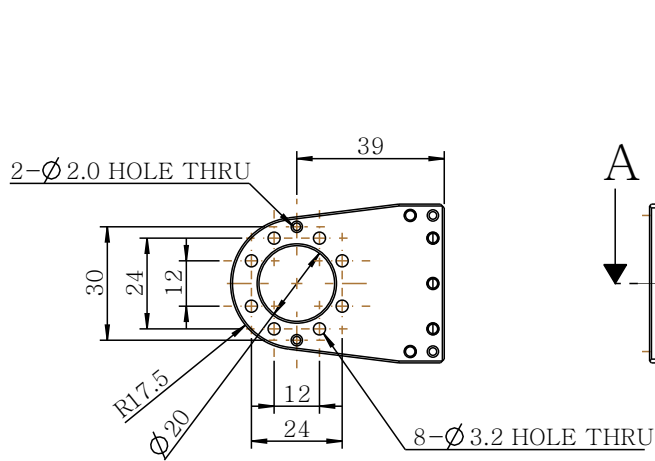


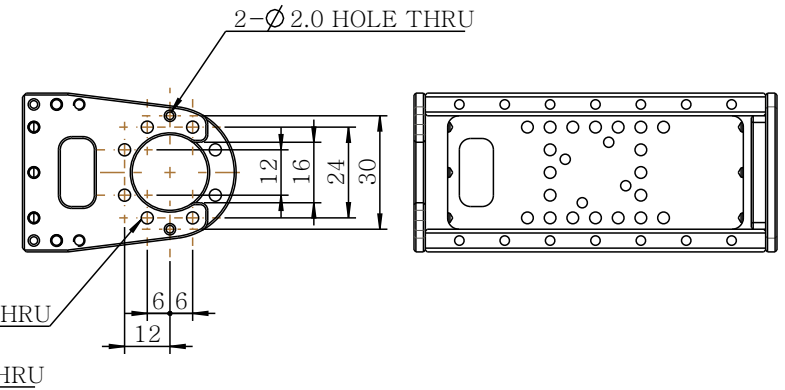
SECTION A-A
SCALE 1/2



SCALE 1/2



SCALE 1/2



[FOR REFERENCE ONLY]

Title		Material	Scale	Unit	Sheet	
Date 08/19/2013		AL	NONSCALE	mm	1 of 1	